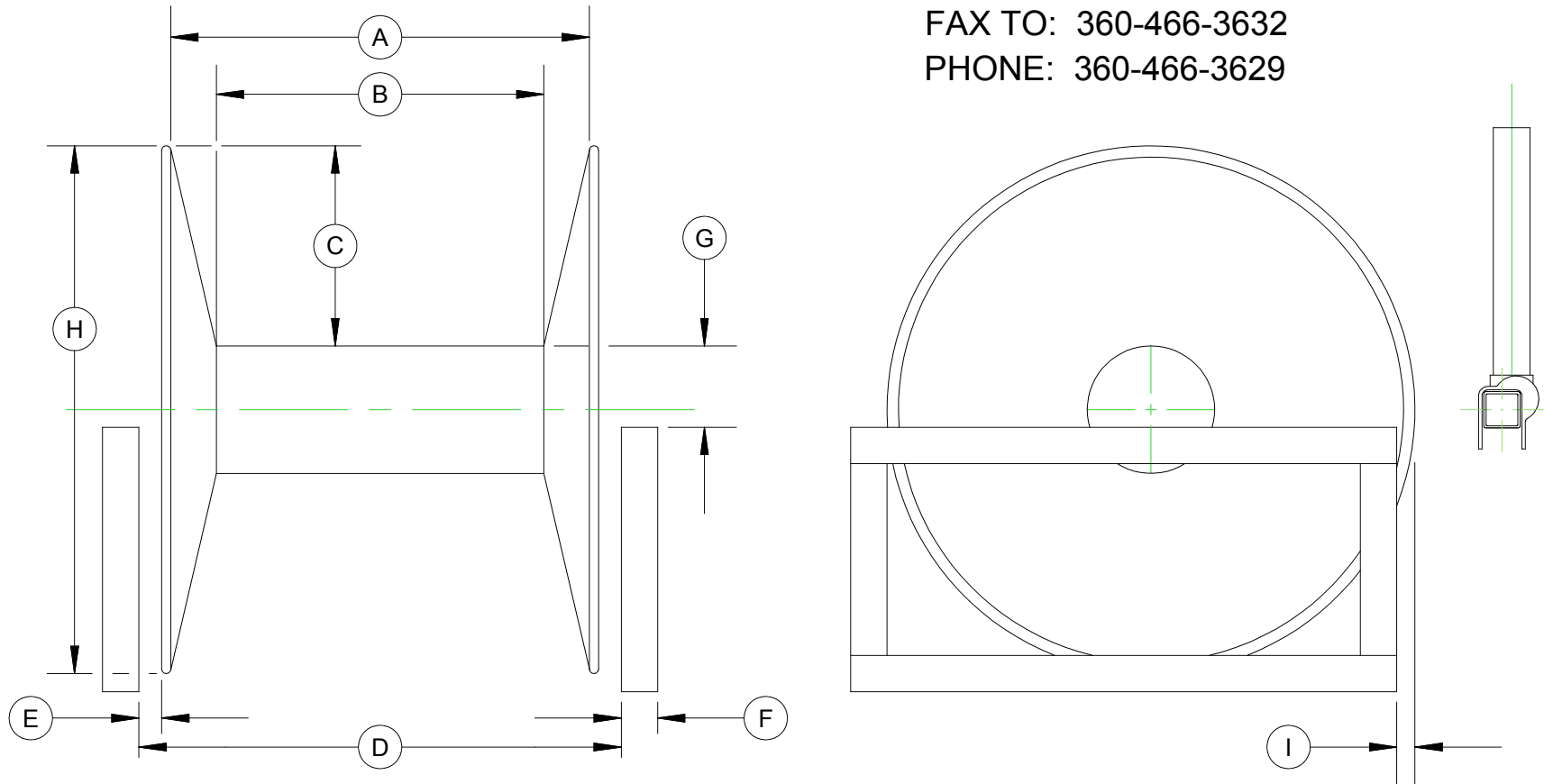


FAX TO: 360-466-3632  
 PHONE: 360-466-3629



- BOWPICKER OR  STERNPICKER
  - SIDE DRIVE IS ON: \_\_\_\_\_
  - TYPE OF DRIVE: \_\_\_\_\_
- (A) MAX INSIDE DRUM WIDTH    (D) INSIDE WIDTH OF STAND    (G) HEIGHT, TOP OF STAND TO TOP OF CORE  
 (B) MIN. INSIDE DRUM WIDTH    (E) INSIDE OF STAND TO OUTSIDE OF DRUM    (H) OVERALL DIAMETER OF DRUM  
 (C) TOP OF CORE TO TOP OF DRUM FLANGES    (F) WIDTH OF FRAME    (I) EDGE OF DRUM TO EDGE OF STAND

**CONTACT INFORMATION:**

Name \_\_\_\_\_ Phone \_\_\_\_\_

Address \_\_\_\_\_

City \_\_\_\_\_ State \_\_\_\_\_ Zip Code \_\_\_\_\_

Email Address \_\_\_\_\_

Maritime Fabrications, Inc 920 W. Pearle Jensen Way LaConner, WA 98257			
<b>LEVELWIND          INFORMATION SHEET</b>			
TITLE			
SIZE <b>A</b>	DWGNO <b>LW-INFO</b>	REV <b>B</b>	
SCALE <b>N/A</b>	WMS 12/08/2006	SHEET	1 of 1